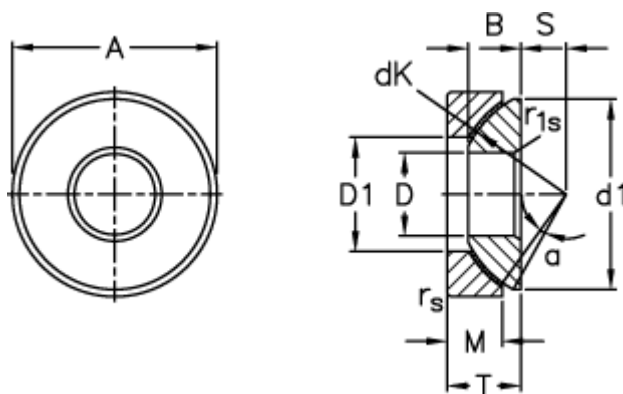


Article number: 03512025

Description: Fluro Rod end GE 25AW

Measures



A	= 62 0 -0,013	rs, r1s min	= 1
B	= 16.5	S	= 14
D	= 25 0 -0,010	Static axial load C0 (kN)	= 516
d1 max	= 58.5	T	= 22,5 +0,25 -0,40
D1 min	= 34.5	Tilt angle	= 5
dK	= 68	Weight	= 415
Dynamic axial load C (kN)	= 258		
M	= 16.7		